



T1 CSU ACE

Compact T1 Network Facility Interface

Product Features

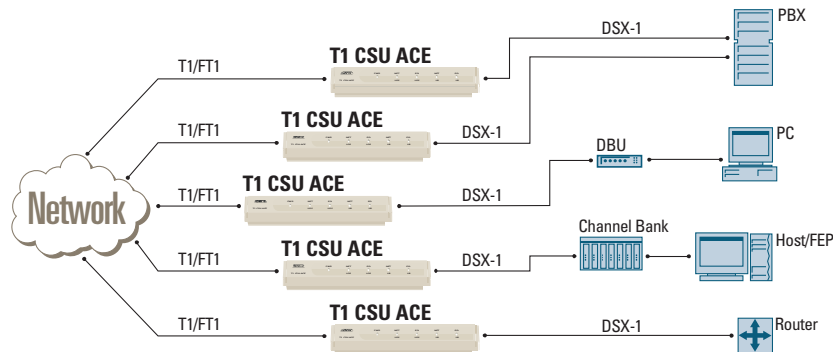
- T1 line-conditioning and jitter tolerance per ANSI T1.403, T1.102 and AT&T TR 62411
- Supports framed (B8ZS or AMI) or unframed signal formats
- Transmits unframed "all 1s" during signal loss from DTE or T1 network
- Bantam test jacks
- Front panel status LEDs
- 12 VDC Powered
- Desktop or wall-mount
- Standard 5-year warranty

The T1 CSU ACE is a compact, full-featured T1 channel service unit used to connect T1 data terminal equipment (DTE) and T1 facilities. The unit is designed to provide alarms, loopbacks, signal regeneration, line build out, and surge protection.

The unit is suitable for wallmounting or desktop use. Five LEDs on the front of the unit (POWER, NET LOS, EQ LOS, NET LB, and EQ LB) display the status of the unit. On the back of the unit an eight position dip switch provides settings for customer premises equipment and network line build out (LBO) distances as well as manual loopback operation. The two network LBO switches provide four combination settings from 0 to 22.5dB in 7.5dB increments. The three switches allotted for the equipment LBO offer five combination settings for PBX termination at distances up to 655 feet. Two additional switches provide for manual loopback (LB) in both the Equipment (EQ) and Network (NET) directions. The last switch is a spare.

The unit provides three bantam jack pairs for testing purposes. Two pairs provide interruptive transmit and receive access toward the T1 network or the Data Terminal Equipment (DTE) device. The third pair is a non-interruptive connection for monitoring data flowing in either direction. Two RJ-48C modular jacks provide the network and DTE connections. A 12V DC wallmount power supply that plugs into a receptacle, is included with the unit. The T1 CSU ACE also supports a customer-supplied 48V DC power source.

For additional T1 applications, ADTRAN provides several versions of the T1 CSU which offer various features and mounting options. ADTRAN T1 CSU products also include the T1 ESF CSU and the rackmounted T1 ESF CSU Smart 16 Card.



**ADTRAN, Inc.**

Attn: Enterprise Networks
901 Explorer Boulevard
Huntsville, AL 35806

P.O. Box 140000
Huntsville, AL 35814-4000

256 963-8000 voice
256 963-8699 fax
256 963-8200 fax back

General Information

800 9ADTRAN
info@adtran.com
www.adtran.com

Pre-Sales**Technical Support**

800 615-1176 toll-free
application.engineer@adtran.com
www.adtran.com/support

Where to Buy

877 280-8416 toll-free
channel.sales@adtran.com
www.adtran.com/where2buy

Post-Sales**Technical Support**

888 423-8726
support@adtran.com
www.adtran.com/support

ACES Installation & Maintenance Service

888 874-ACES
aces@adtran.com
www.adtran.com/support

International Inquiries

256 963 8000 voice
256 963-6300 fax
international@adtran.com
www.adtran.com/international

For the regional office nearest you, visit:

www.adtran.com/where2buy



I.S. EN ISO 9001
ADTRAN is a
ISO 9001 registered company.



TL 9000
ADTRAN is a
TL 9000 registered company.

Printed in the U.S.A.
61202022L1-8B April 2002

©2002 ADTRAN, Inc. All rights reserved.

T1 CSU ACE

Compact T1 Network Facility Interface

Product Specifications

Network Interface

Line Rate

- T1/FT1 (1.544 Mbps)

Physical Interface

- RJ-48C: 8-pin modular

Specifications

- AT&T TR62411
- ANSI T1.403

Framing

- D4 (SF)/ESF

Line Code

- AMI/B8ZS

ESF Format

- Transparent

Input Signal

- 0 to -36dB, Auto sensitivity setting

Transmission Type

- Regenerative transparent toward network and toward DTE

Equipment Interface

Electrical

- DSX-1

Compliance

- ANSI T1.102

Receiver Performance

- Line build out for 0-655 ft

Keep Alive Signal

- Unframed all 1s on loss of signal from DTE

User Options

Option Switches

- Network loopback
- Equipment loopback
- Network Line Build Out (0, 7.5, 15, 22.5dB)
- Equipment Line Build Out (0-133, 134-265, 266-399, 400-533, 534-655 ft)

Test Jacks

- Interruptive test signal access network and DTE
- Non-interruptive signal receive monitor for network and DTE



LED Indicators

- Power
- Network Loss of Signal
- Equipment Loss of Signal
- Network Loopback
- Equipment Loopback

Mounting

- Desktop or wall-mount

Compliance

- FCC Part 15, Class B
- FCC Part 68
- Industry Canada CS03
- UL 1950, third edition
- CUL

Environment

Operating Temperature

- 0° to 50°C, (32° to 122°F)

Storage Temperature

- -20° to 70°C, (-4° to 158°F)

Relative Humidity

- Up to 95%, non-condensing

Physical

Dimensions

- 1.45" H, 4" D, 6.7" W

Weight

- 12.8 oz

Power

- 12 to 48 VDC

Product Includes

- 12 VDC power supply
- Power cable for customer supplied DC power source
- Wall-mount plate
- RJ-45 cable
- DB-15 to RJ-45 adapter
- User manual

Ordering Information

Equipment	Part #
T1 CSU ACE	1202022L1
12 VDC Power Supply.	1902022L1

Specifications subject to change without notice. ADTRAN is a registered trademark of ADTRAN, Inc. All other registered trademarks and trademarks mentioned in this publication are the property of their respective owners.